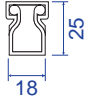
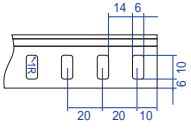
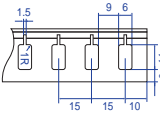
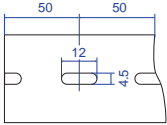
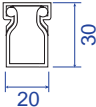
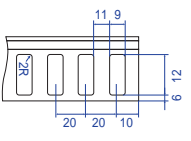
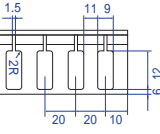
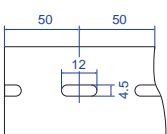
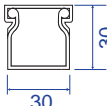
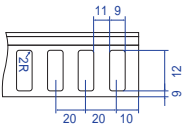
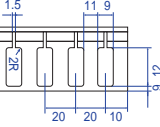
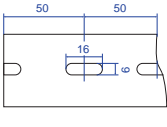
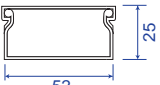
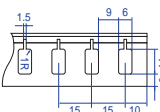
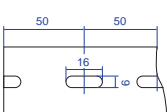


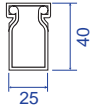
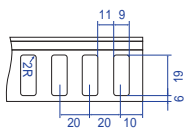
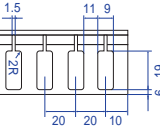
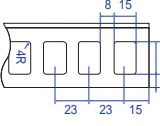
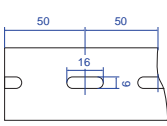
Detailed chart listing of all Wiring Ducts.

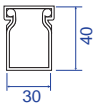
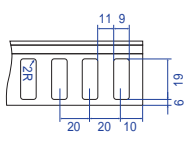
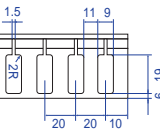
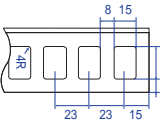
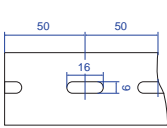
KD-23-20	Cross Section	Side Hole Specs				Bottom Hole Specs
		H	T	L	LL	
				/	/	
	Length (mm)				2,000	
	Wire Capacity (N2sq)				15	
	Quantity (sets)				50	

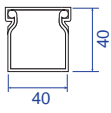
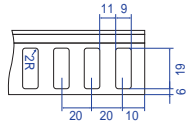
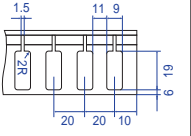
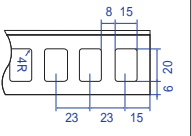
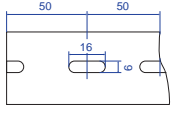
KD-N23-20	Cross Section	Side Hole Specs				Bottom Hole Specs
		H	T	L	LL	
				/	/	
	Length (mm)				2,000	
	Wire Capacity (N2sq)				20	
	Quantity (sets)				50	

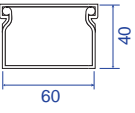
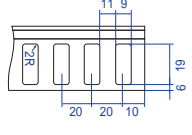
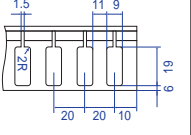
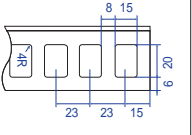
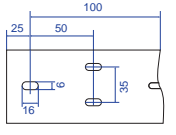
KD-33-20	Cross Section	Side Hole Specs				Bottom Hole Specs
		H	T	L	LL	
				/	/	
	Length (mm)				2,000	
	Wire Capacity (N2sq)				30	
	Quantity (sets)				40	

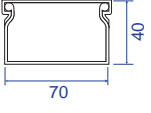
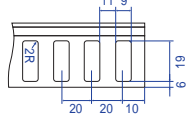
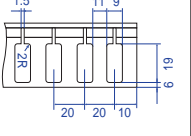
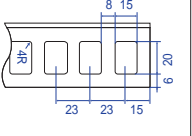
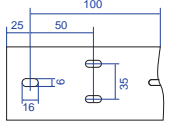
KD-53-20	Cross Section	Side Hole Specs				Bottom Hole Specs
		H	T	L	LL	
		/		/	/	
	Length (mm)				2,000	
	Wire Capacity (N2sq)				50	
	Quantity (sets)				40	

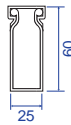
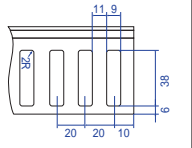
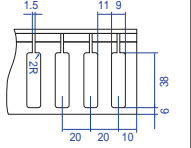
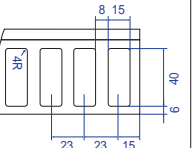
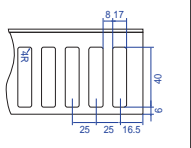
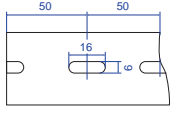
KD-24-20	Cross Section	Side Hole Specs				Bottom Hole Specs
		H	T	L	LL	
					/	
	Length (mm)				2,000	
	Wire Capacity (N2sq)				40	
	Quantity (sets)				40	

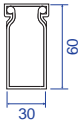
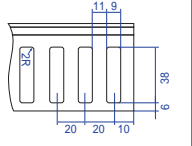
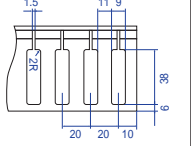
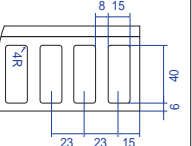
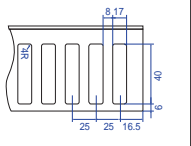
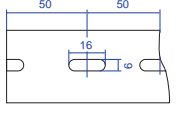
KD-34-20	Cross Section	Side Hole Specs				Bottom Hole Specs
		H	T	L	LL	
					/	
	Length (mm)				2,000	
	Wire Capacity (N2sq)				55	
	Quantity (sets)				40	

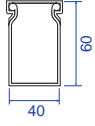
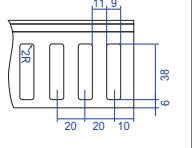
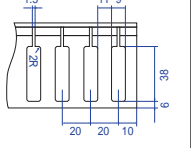
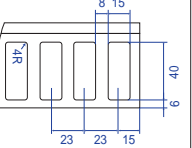
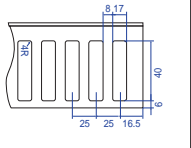
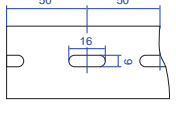
KD-44-20	Cross Section	Side Hole Specs				Bottom Hole Specs
		H	T	L	LL	
						
		Length (mm)			2,000	
		Wire Capacity (N2sq)			60	
		Quantity (sets)			40	

KD-64-20	Cross Section	Side Hole Specs				Bottom Hole Specs
		H	T	L	LL	
						
		Length (mm)			2,000	
		Wire Capacity (N2sq)			100	
		Quantity (sets)			20	

KD-74-20	Cross Section	Side Hole Specs				Bottom Hole Specs
		H	T	L	LL	
						
		Length (mm)			2,000	
		Wire Capacity (N2sq)			105	
		Quantity (sets)			20	

KD-26-20	Cross Section	Side Hole Specs				Bottom Hole Specs
		H	T	L	LL	
						
		Length (mm)			2,000	
		Wire Capacity (N2sq)			60	
		Quantity (sets)			20	

KD-36-20	Cross Section	Side Hole Specs				Bottom Hole Specs
		H	T	L	LL	
						
		Length (mm)			2,000	
		Wire Capacity (N2sq)			65	
		Quantity (sets)			30	

KD-46-20	Cross Section	Side Hole Specs				Bottom Hole Specs
		H	T	L	LL	
						
		Length (mm)			2,000	
		Wire Capacity (N2sq)			90	
		Quantity (sets)			30	

KD-56-20	Cross Section	Side Hole Specs				Bottom Hole Specs
		H	T	L	LL	
	Length (mm)				2,000	
Wire Capacity (N2sq)				110		
Quantity (sets)				20		

KD-66-20	Cross Section	Side Hole Specs				Bottom Hole Specs
		H	T	L	LL	
	Length (mm)				2,000	
Wire Capacity (N2sq)				130		
Quantity (sets)				20		

KD-76-20	Cross Section	Side Hole Specs				Bottom Hole Specs
		H	T	L	LL	
	Length (mm)				2,000	
Wire Capacity (N2sq)				150		
Quantity (sets)				20		

KD-86-20	Cross Section	Side Hole Specs				Bottom Hole Specs
		H	T	L	LL	
	Length (mm)				2,000	
Wire Capacity (N2sq)				190		
Quantity (sets)				20		

KD-106-20	Cross Section	Side Hole Specs				Bottom Hole Specs
		H	T	L	LL	
	Length (mm)				2,000	
Wire Capacity (N2sq)				240		
Quantity (sets)				10		

KD-156-20	Cross Section	Side Hole Specs				Bottom Hole Specs
		H	T	L	LL	
	Length (mm)				2,000	
Wire Capacity (N2sq)				310		
Quantity (sets)				6		

KD-67-20	Cross Section	Side Hole Specs				Bottom Hole Specs
		H	T	L	LL	
		Length (mm)				2,000
		Wire Capacity (N2sq)				150
		Quantity (sets)				16

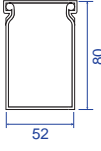
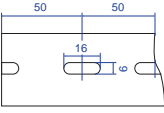
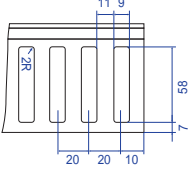
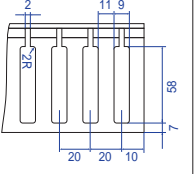
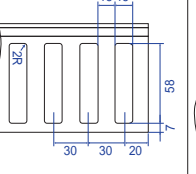
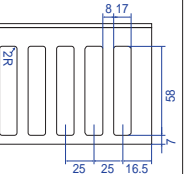
KD-87-20	Cross Section	Side Hole Specs				Bottom Hole Specs
		H	T	L	LL	
		Length (mm)				2,000
		Wire Capacity (N2sq)				190
		Quantity (sets)				16

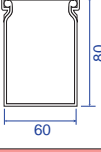
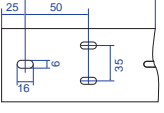
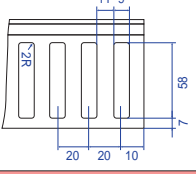
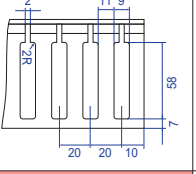
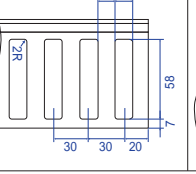
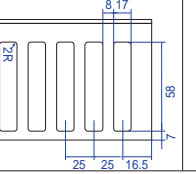
KD-137-20	Cross Section	Side Hole Specs				Bottom Hole Specs
		H	T	L	LL	
		Length (mm)				2,000
		Wire Capacity (N2sq)				340
		Quantity (sets)				6


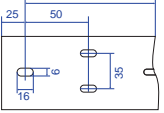
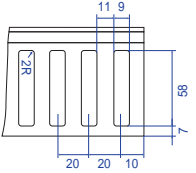
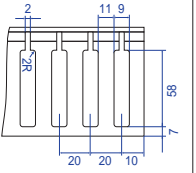
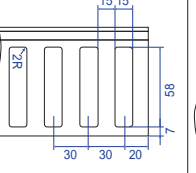
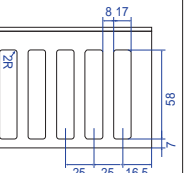
KD-28-20	Cross Section	Side Hole Specs				Bottom Hole Specs
		H	T	L	LL	
		Length (mm)				2,000
		Wire Capacity (N2sq)				70
		Quantity (sets)				24


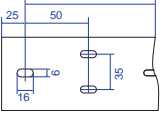
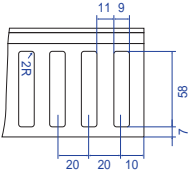
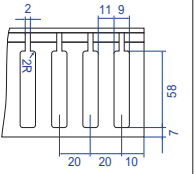
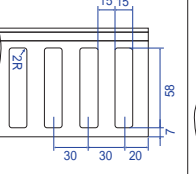
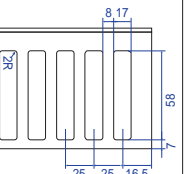
KD-38-20	Cross Section	Side Hole Specs				Bottom Hole Specs
		H	T	L	LL	
		Length (mm)				2,000
		Wire Capacity (N2sq)				90
		Quantity (sets)				24

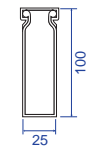
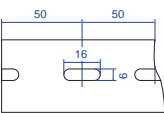
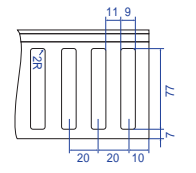
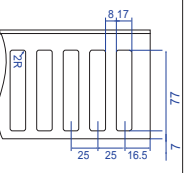
KD-48-20	Cross Section	Side Hole Specs				Bottom Hole Specs
		H	T	L	LL	
		Length (mm)				2,000
		Wire Capacity (N2sq)				120
		Quantity (sets)				18

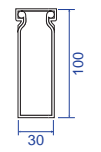
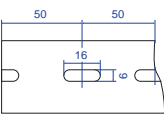
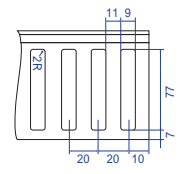
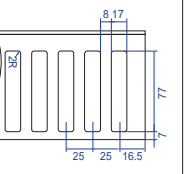
KD-58-20	Cross Section	Side Hole Specs				Bottom Hole Specs
		H	T	L	LL	
						
	Length (mm)				2,000	
	Wire Capacity (N2sq)				160	
Quantity (sets)				12		

KD-68-20	Cross Section	Side Hole Specs				Bottom Hole Specs
		H	T	L	LL	
						
	Length (mm)				2,000	
	Wire Capacity (N2sq)				200	
Quantity (sets)				12		

KD-88-20	Cross Section	Side Hole Specs				Bottom Hole Specs
		H	T	L	LL	
						
	Length (mm)				2,000	
	Wire Capacity (N2sq)				260	
Quantity (sets)				14		

KD-108-20	Cross Section	Side Hole Specs				Bottom Hole Specs
		H	T	L	LL	
						
	Length (mm)				2,000	
	Wire Capacity (N2sq)				320	
Quantity (sets)				8		

KD-210-20	Cross Section	Side Hole Specs				Bottom Hole Specs
		H	T	L	LL	
						
	Length (mm)				2,000	
	Wire Capacity (N2sq)				100	
Quantity (sets)				20		

KD-310-20	Cross Section	Side Hole Specs				Bottom Hole Specs
		H	T	L	LL	
						
	Length (mm)				2,000	
	Wire Capacity (N2sq)				110	
Quantity (sets)				20		

KD-410-20	Cross Section	Side Hole Specs				Bottom Hole Specs
		H	T	L	LL	
	Length (mm)	2,000				
	Wire Capacity (N2sq)	160				
Quantity (sets)	18					

KD-610-20	Cross Section	Side Hole Specs				Bottom Hole Specs
		H	T	L	LL	
	Length (mm)	2,000				
	Wire Capacity (N2sq)	240				
Quantity (sets)	12					

KD-810-20	Cross Section	Side Hole Specs				Bottom Hole Specs
		H	T	L	LL	
	Length (mm)	2,000				
	Wire Capacity (N2sq)	270				
Quantity (sets)	12					

KD-1010-20	Cross Section	Side Hole Specs				Bottom Hole Specs
		H	T	L	LL	
	Length (mm)	2,000				
	Wire Capacity (N2sq)	340				
Quantity (sets)	6					

KD-1510-20	Cross Section	Side Hole Specs				Bottom Hole Specs
		H	T	L	LL	
	Length (mm)	2,000				
	Wire Capacity (N2sq)	510				
Quantity (sets)	6					

KD-1015-20	Cross Section	Side Hole Specs				Bottom Hole Specs
		H	T	L	LL	
	Length (mm)	2,000				
	Wire Capacity (N2sq)	510				
Quantity (sets)	4					